

FLEX 418

Liquid Cooling Outdoor Cabinet ESS

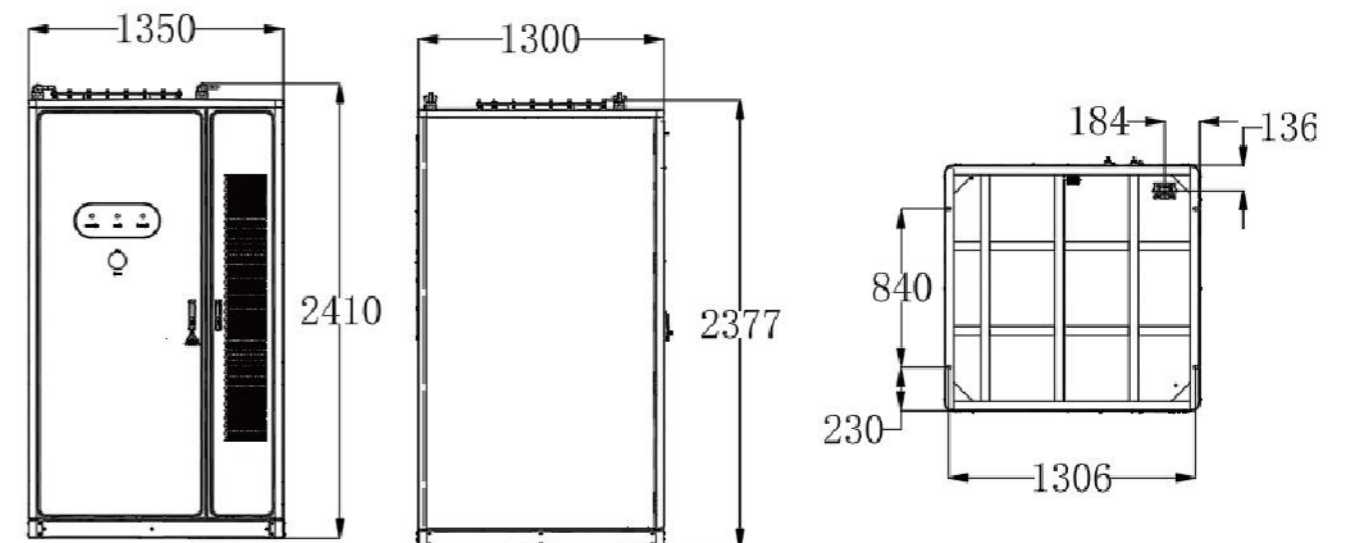
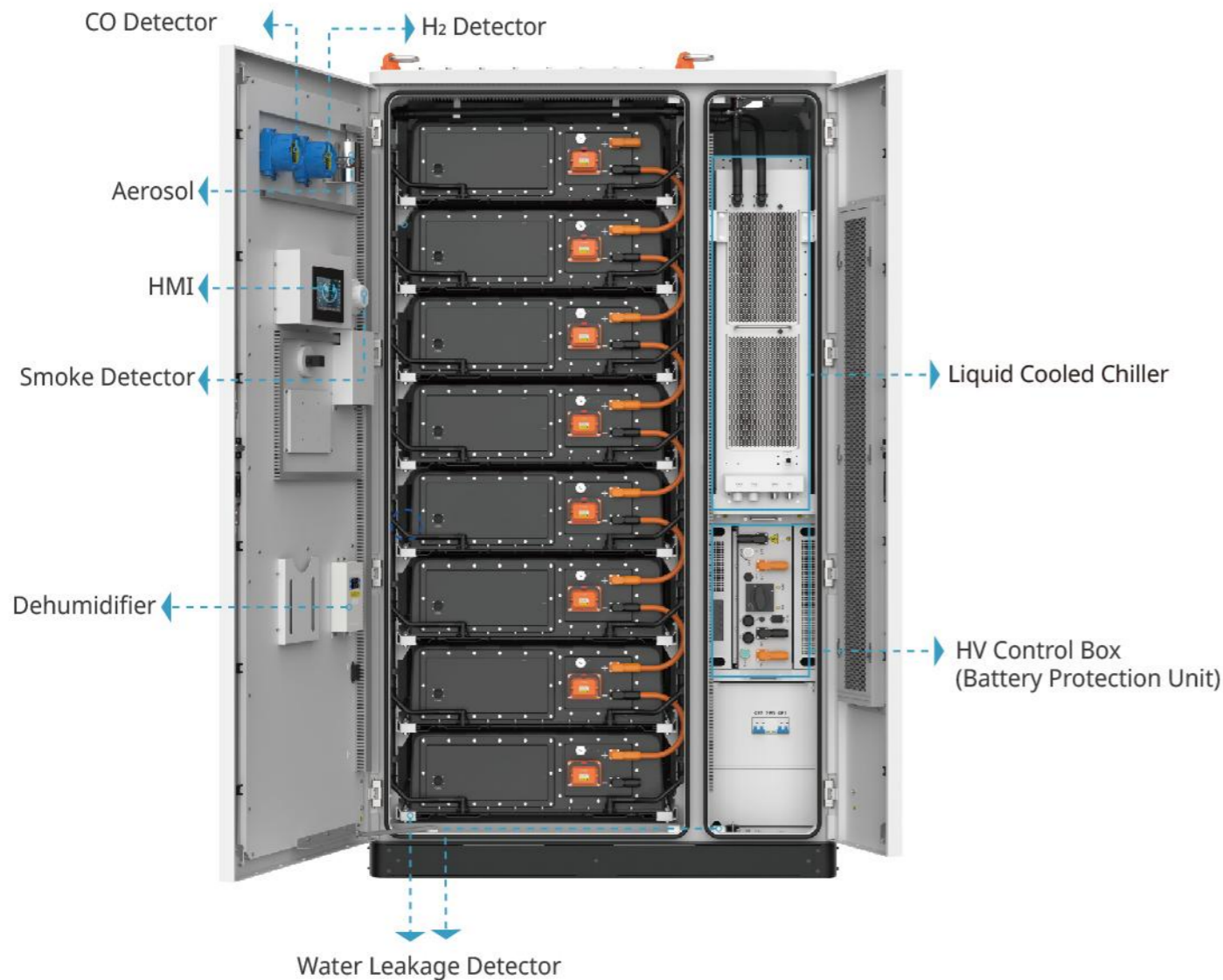


- Industry-leading Active Balancing BMS**
Maximizes usable capacity & Extends battery life
- 30°C to 55°C Operation Temperature**
Can be installed in harsh conditions (extreme heat/cold)
- High Energy Density**
1.75 m³ Compact footprint with more capacity

PARAMETERS

FLEX-418 ESS PARAMETERS

FLEX-418 ESS PARAMETERS		
DC Parameters	Rated Voltage	1331.2 V
	Voltage Range	1164.8 ~ 1497.6 V
	Rated Energy	417.992 kWh
	Charge / Discharge Rate	0.5P / 0.5P
	Battery Cell	LFP 314 Ah
Other Parameters	Degree of Protection	IP 55
	Operation Temperature	-30 ~ 55 °C (>45°C derating)
	Storage Temperature	-30 ~ 60 °C
	Altitude	2000 m (> 2000m derating)
	Relative Humidity	5 ~ 95% (No Condensing)
	Cooling Method	Liquid Cooling
	Fire Suppression System	Smoke & Gas Detectors, Aerosol, Vent Valve, Explosion Relief Panel, Water Sprinkler, Humiture Detector
	Communication	MODBUS
	Dimensions (W×D×H)	1350 × 1300 × 2410 mm (±3mm)
	Weight	3650 kg
Standards	EN IEC 61000, EN 62477, IEC 62477, IEC 62619, UN38.3	



Unit: mm